



MARCUS

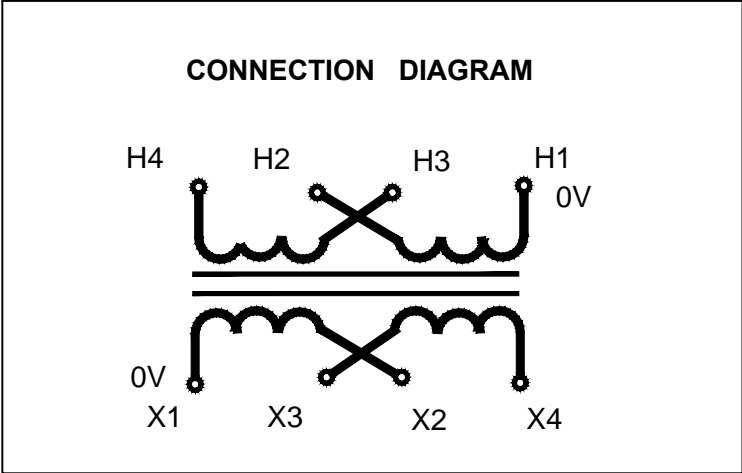
Marcus Transformer LTD
 Phone: 1-800-267-7376
 Fax: 1-866-205-7526
 Email: Info@marcustransformer.com

TECHNICAL DATA

SINGLE PHASE CONTROL TRANSFORMER

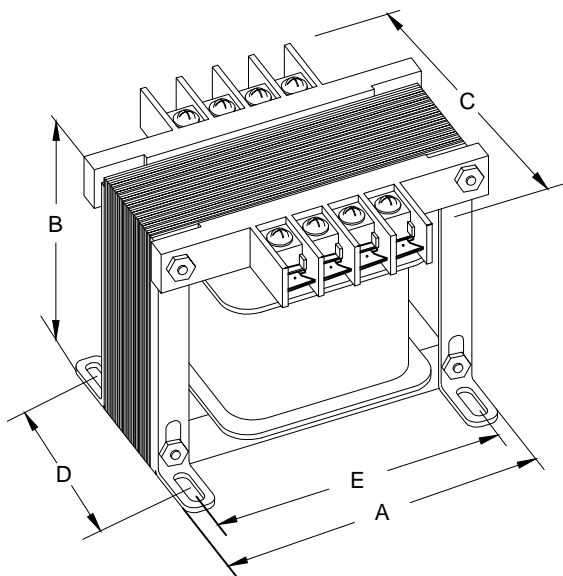
DESCRIPTION

MODEL	MTB200A
Type	Open
VA	200
Primary (Volts)	120 / 240
Secondary (Volts)	12 / 24
Input /Output Amps	1.67 , 0.83 / 16.66 , 8.33
Temperature Rise	80°C
Insulation Class	B (130°C)
Frequency	50 / 60Hz
Polarity	additive
Noise level	less than 40DB
Winding	Copper
Approvals	CE compliant UL listed CSA approved



WIRING CONNECTION

PRIMARY :		
VOLTS	INTERCONNECT:	CONNECT LINES TO :
120	H1-H3 AND H2-H4	H1-H4
240	H2-H3	H1-H4
SECONDARY :		
VOLTS	INTERCONNECT:	CONNECT LINES TO :
12	X1-X3 AND X2-X4	X1-X4
24	X2-X3	X1-X4



DIMENSIONS INCHES / MM

VA	A	B	C	D	E	MOUNTING HOLES INCHES / MM	SHIP WEIGHT LBS / KG
200	3.75 95.3	3.13 79.5	4.75 120.7	3.25 82.6	3.13 79.5	0.21 x 0.625 5.3 x 15.9	6.00 2.7

Notes:

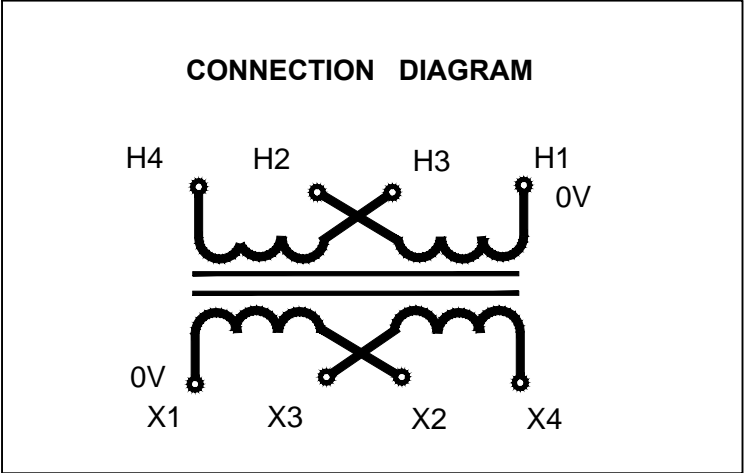


MARCUS

Marcus Transformer LTD
 Phone: 1-800-267-7376
 Fax: 1-866-205-7526
 Email: Info@marcustransformer.com

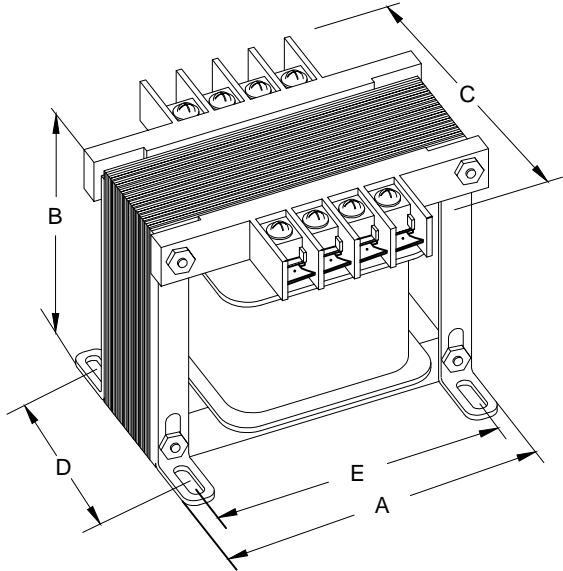
TECHNICAL DATA SINGLE PHASE CONTROL TRANSFORMER

DESCRIPTION	
MODEL	MTB200B
Type	Open
VA	200
Primary (Volts)	120 / 240
Secondary (Volts)	120 / 240
Input /Output Amps	1.67 , 0.83 / 1.67 , 0.83
Temperature Rise	80°C
Insulation Class	B (130°C)
Frequency	50 / 60Hz
Polarity	additive
Noise level	less than 40DB
Winding	Copper
Approvals	CE compliant UL listed CSA approved



WIRING CONNECTION

PRIMARY :		
VOLTS	INTERCONNECT:	CONNECT LINES TO :
120	H1-H3 AND H2-H4	H1-H4
240	H2-H3	H1-H4
SECONDARY :		
VOLTS	INTERCONNECT:	CONNECT LINES TO :
120	X1-X3 AND X2-X4	X1-X4
240	X2-X3	X1-X4



DIMENSIONS INCHES / MM

VA	A	B	C	D	E	MOUNTING HOLES INCHES / MM	SHIP WEIGHT LBS / KG
200	3.75 95.3	3.13 79.5	4.75 120.7	3.25 82.6	3.13 79.5	0.21 x 0.625 5.3 x 15.9	6.00 2.7

Notes:



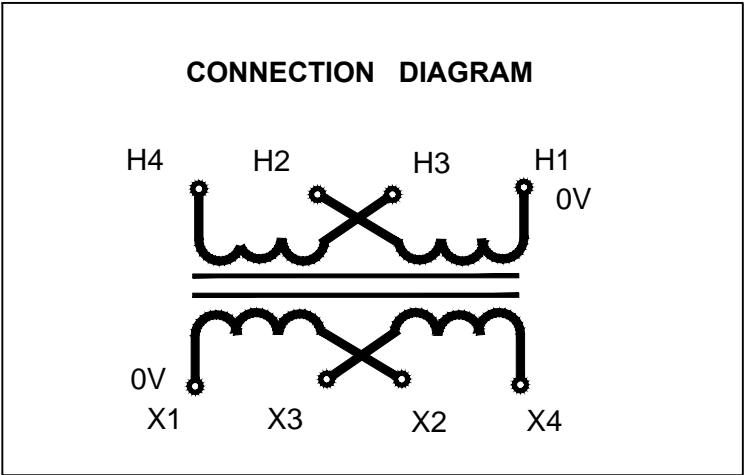
MARCUS

Marcus Transformer LTD
 Phone: 1-800-267-7376
 Fax: 1-866-205-7526
 Email: Info@marcustransformer.com

TECHNICAL DATA

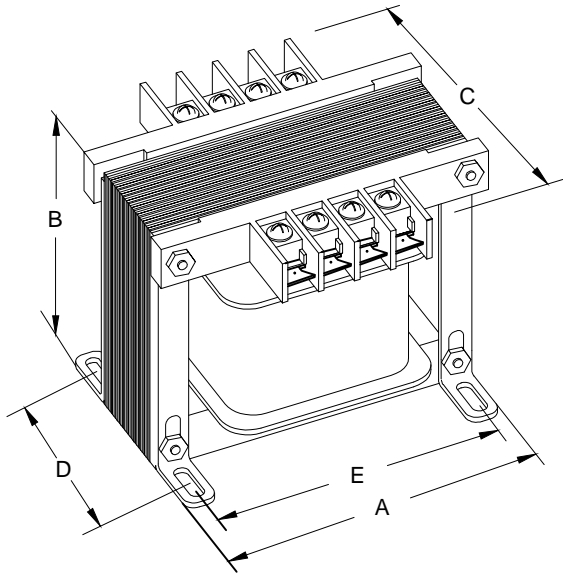
SINGLE PHASE CONTROL TRANSFORMER

DESCRIPTION	
MODEL	MTB200C
Type	Open
VA	200
Primary (Volts)	208 / 416
Secondary (Volts)	12 / 24
Input /Output Amps	0.96 , 0.48 / 16.67 , 8.33
Temperature Rise	80°C
Insulation Class	B (130°C)
Frequency	50 / 60Hz
Polarity	additive
Noise level	less than 40DB
Winding	Copper
Approvals	CE compliant UL listed CSA approved



WIRING CONNECTION

PRIMARY :		
VOLTS	INTERCONNECT:	CONNECT LINES TO :
208	H1-H3 AND H2-H4	H1-H4
416	H2-H3	H1-H4
SECONDARY :		
VOLTS	INTERCONNECT:	CONNECT LINES TO :
12	X1-X3 AND X2-X4	X1-X4
24	X2-X3	X1-X4



DIMENSIONS INCHES / MM

VA	A	B	C	D	E	MOUNTING HOLES INCHES / MM	SHIP WEIGHT LBS / KG
200	3.75 95.3	3.13 79.5	4.75 120.7	3.25 82.6	3.13 79.5	0.21 x 0.625 5.3 x 15.9	6.00 2.7

Notes:



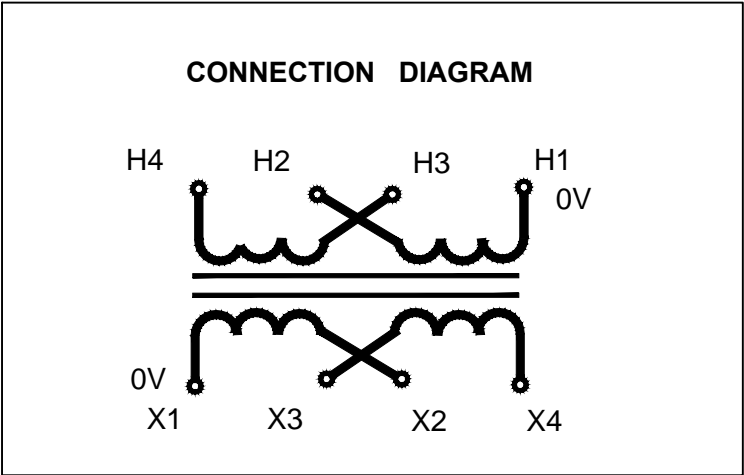
MARCUS

Marcus Transformer LTD
 Phone: 1-800-267-7376
 Fax: 1-866-205-7526
 Email: Info@marcustransformer.com

TECHNICAL DATA

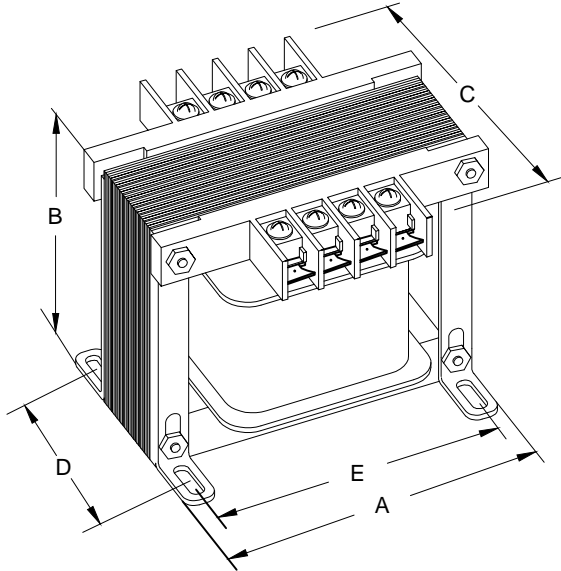
SINGLE PHASE CONTROL TRANSFORMER

DESCRIPTION	
MODEL	MTB200D
Type	Open
VA	200
Primary (Volts)	208 / 416
Secondary (Volts)	120 / 240
Input /Output Amps	0.96 , 0.48 / 1.67 , 0.83
Temperature Rise	80°C
Insulation Class	B (130°C)
Frequency	50 / 60Hz
Polarity	additive
Noise level	less than 40DB
Winding	Copper
Approvals	CE compliant UL listed CSA approved



WIRING CONNECTION

PRIMARY :		
VOLTS	INTERCONNECT:	CONNECT LINES TO :
208	H1-H3 AND H2-H4	H1-H4
416	H2-H3	H1-H4
SECONDARY :		
VOLTS	INTERCONNECT:	CONNECT LINES TO :
120	X1-X3 AND X2-X4	X1-X4
240	X2-X3	X1-X4



DIMENSIONS INCHES / MM

VA	A	B	C	D	E	MOUNTING HOLES INCHES / MM	SHIP WEIGHT LBS / KG
200	3.75 95.3	3.13 79.5	4.75 120.7	3.25 82.6	3.13 79.5	0.21 x 0.625 5.3 x 15.9	6.00 2.7

Notes:



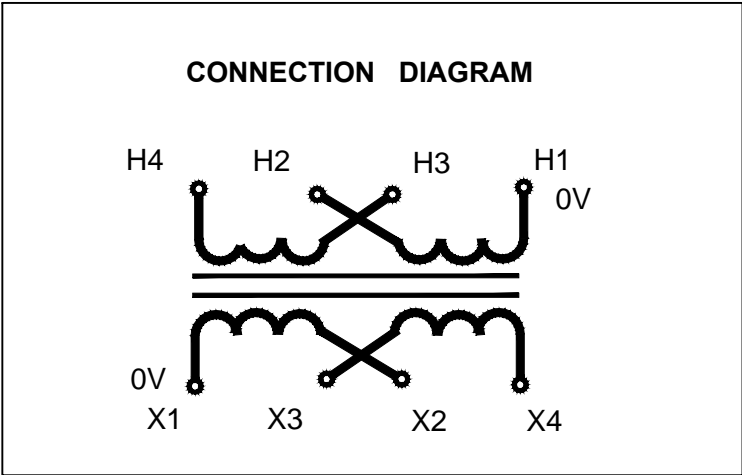
MARCUS

Marcus Transformer LTD
 Phone: 1-800-267-7376
 Fax: 1-866-205-7526
 Email: Info@marcustransformer.com

TECHNICAL DATA

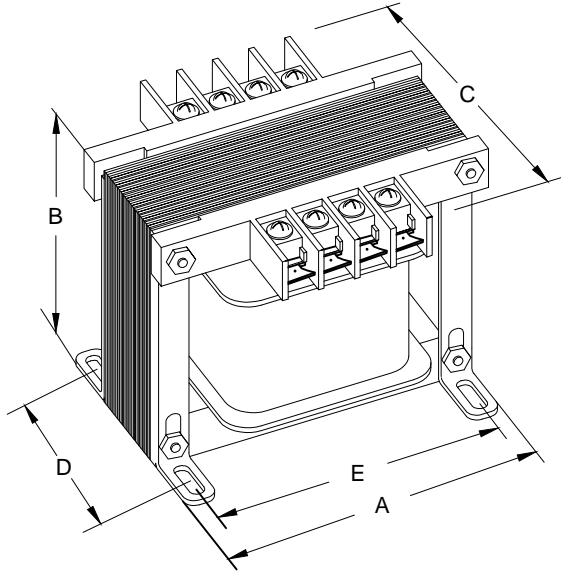
SINGLE PHASE CONTROL TRANSFORMER

DESCRIPTION	
MODEL	MTB200E
Type	Open
VA	200
Primary (Volts)	240 / 480
Secondary (Volts)	120 / 240
Input /Output Amps	0.83 , 0.42 / 1.67 , 0.83
Temperature Rise	80°C
Insulation Class	B (130°C)
Frequency	60Hz
Polarity	additive
Noise level	less than 40DB
Winding	Copper
Approvals	CE compliant UL listed CSA approved



WIRING CONNECTION

PRIMARY :		
VOLTS	INTERCONNECT:	CONNECT LINES TO :
240	H1-H3 AND H2-H4	H1-H4
480	H2-H3	H1-H4
SECONDARY :		
VOLTS	INTERCONNECT:	CONNECT LINES TO :
120	X1-X3 AND X2-X4	X1-X4
240	X2-X3	X1-X4



DIMENSIONS INCHES / MM

VA	A	B	C	D	E	MOUNTING HOLES INCHES / MM	SHIP WEIGHT LBS / KG
200	3.75 95.3	3.13 79.5	4.75 120.7	3.25 82.6	3.13 79.5	0.21 x 0.625 5.3 x 15.9	6.00 2.7

Notes:



MARCUS

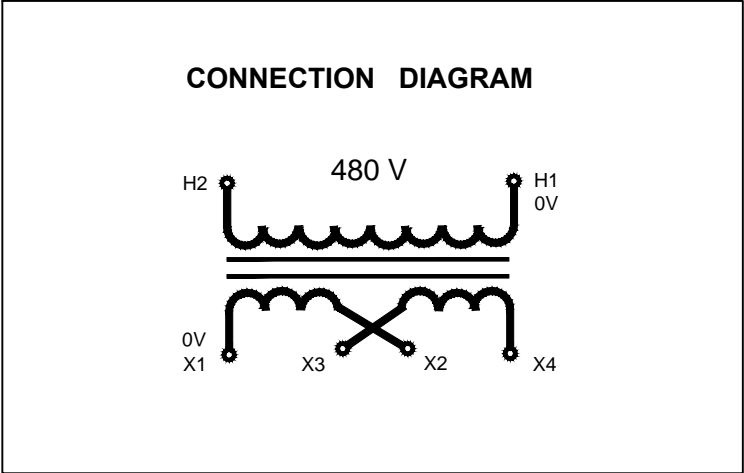
Marcus Transformer LTD
 Phone: 1-800-267-7376
 Fax: 1-866-205-7526
 Email: Info@marcustransformer.com

TECHNICAL DATA

SINGLE PHASE CONTROL TRANSFORMER

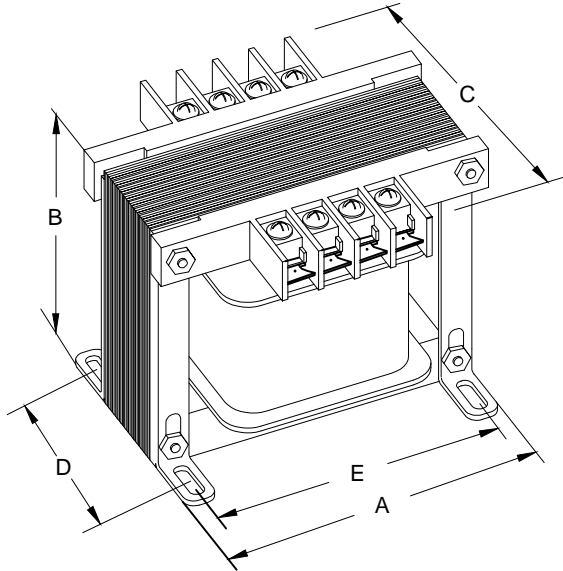
DESCRIPTION

MODEL	MTB200F
Type	Open
VA	200
Primary (Volts)	480
Secondary (Volts)	12 / 24
Input /Output Amps	0.42 / 16.67 , 8.33
Temperature Rise	80°C
Insulation Class	B (130°C)
Frequency	60Hz
Polarity	additive
Noise level	less than 40DB
Winding	Copper
Approvals	CE compliant UL listed CSA approved



WIRING CONNECTION

PRIMARY :		
VOLTS 480	CONNECT LINES TO : H1-H2	
SECONDARY :		
VOLTS 12 24 12/24	INTERCONNECT: X1-X3 AND X2-X4 X2-X3 X2-X3	CONNECT LINES TO : X1-X4 X1-X4 X1-X3-X4



DIMENSIONS INCHES / MM

VA	A	B	C	D	E	MOUNTING HOLES INCHES / MM	SHIP WEIGHT LBS / KG
200	3.75 95.3	3.13 79.5	4.75 120.7	3.25 82.6	3.13 79.5	0.21 x 0.625 5.3 x 15.9	6.00 2.7

Notes:



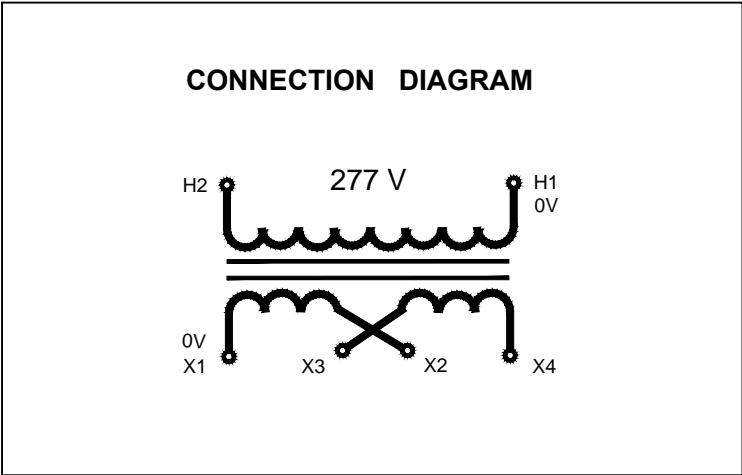
MARCUS

Marcus Transformer LTD
 Phone: 1-800-267-7376
 Fax: 1-866-205-7526
 Email: Info@marcustransformer.com

TECHNICAL DATA

SINGLE PHASE CONTROL TRANSFORMER

DESCRIPTION	
MODEL	MTB200G
Type	Open
VA	200
Primary (Volts)	277
Secondary (Volts)	120 / 240
Input /Output Amps	0.72 / 1.67 , 0.83
Temperature Rise	80°C
Insulation Class	B (130°C)
Frequency	60Hz
Polarity	additive
Noise level	less than 40DB
Winding	Copper
Approvals	CE compliant UL listed CSA approved

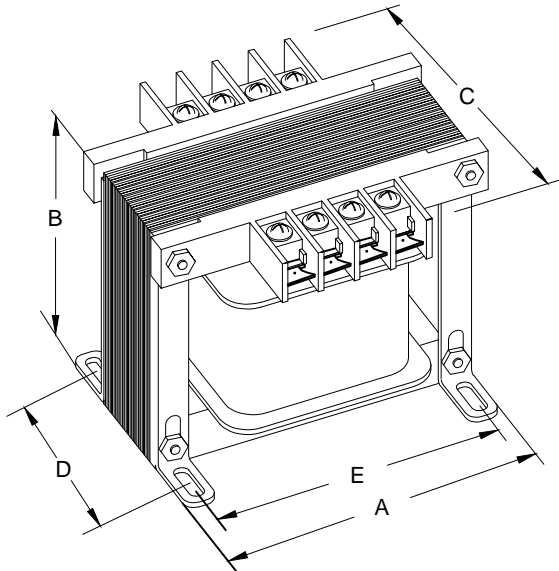


WIRING CONNECTION

PRIMARY :		
VOLTS	CONNECT LINES TO :	
277	H1-H4	
SECONDARY :		
VOLTS	INTERCONNECT:	CONNECT LINES TO :
120	X1-X3 AND X2-X4	X1-X4
240	X2-X3	X1-X4
120/240	X2-X3	X1-X3-X4

DIMENSIONS INCHES / MM

VA	A	B	C	D	E	MOUNTING HOLES INCHES / MM	SHIP WEIGHT LBS / KG
200	3.75 95.3	3.13 79.5	4.75 120.7	3.25 82.6	3.13 79.5	0.21 x 0.625 5.3 x 15.9	6.00 2.7



Notes:



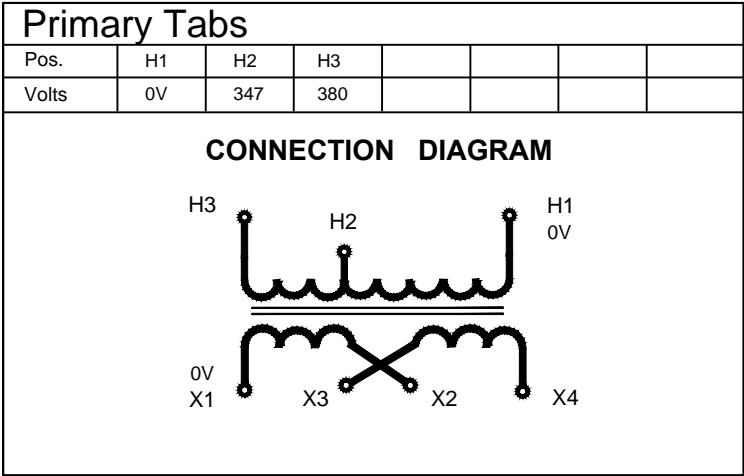
MARCUS

Marcus Transformer LTD
 Phone: 1-800-267-7376
 Fax: 1-866-205-7526
 Email: Info@marcustransformer.com

TECHNICAL DATA

SINGLE PHASE CONTROL TRANSFORMER

DESCRIPTION	
MODEL	MTB200H
Type	Open
VA	200
Primary (Volts)	347 / 380
Secondary (Volts)	120 / 240
Input / Output Amps	0.58 , 0.53 / 1.67 , 0.83
Temperature Rise	80°C
Insulation Class	B (130°C)
Frequency	50 / 60Hz
Polarity	additive
Noise level	less then 40DB
Winding	Copper
Approvals	CE compliant UL listed CSA approved

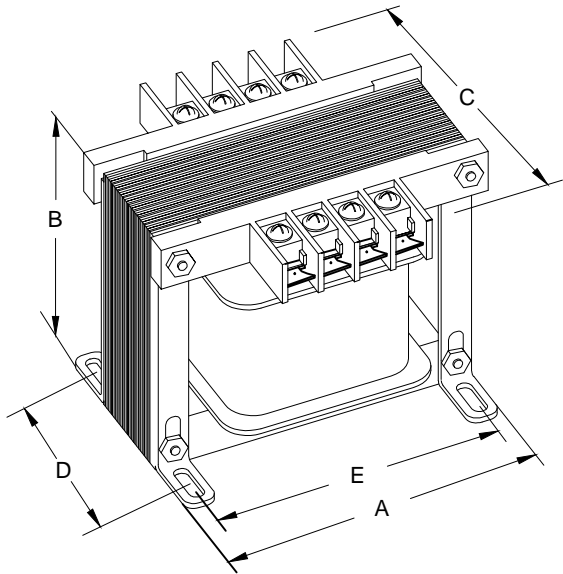


WIRING CONNECTION

PRIMARY :		
VOLTS	CONNECT LINES TO :	
347	H1-H2	
380	H1-H3	
SECONDARY :		
VOLTS	INTERCONNECT:	CONNECT LINES TO :
120	X1-X3 AND X2-X4	X1-X4
240	X2-X3	X1-X4

DIMENSIONS INCHES / MM

VA	A	B	C	D	E	MOUNTING HOLES INCHES / MM	SHIP WEIGHT LBS / KG
200	3.75 95.3	3.13 79.5	4.75 120.7	3.25 82.6	3.13 79.5	0.21 x 0.625 5.3 x 15.9	6.00 2.7



Notes:



MARCUS

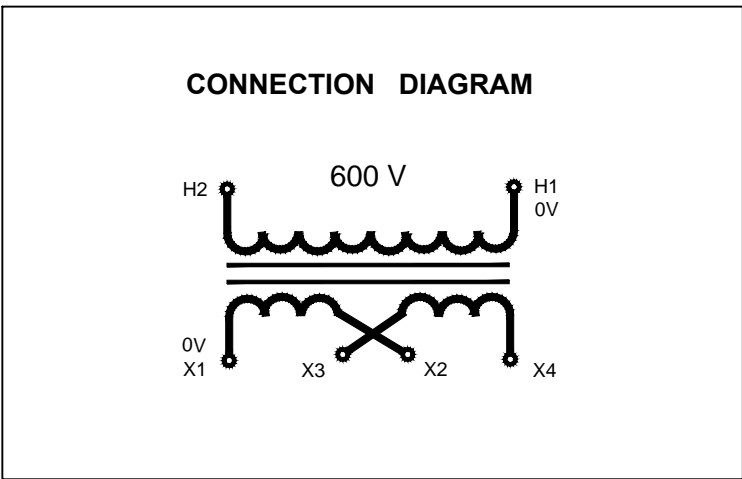
Marcus Transformer LTD
 Phone: 1-800-267-7376
 Fax: 1-866-205-7526
 Email: Info@marcustransformer.com

TECHNICAL DATA

SINGLE PHASE CONTROL TRANSFORMER

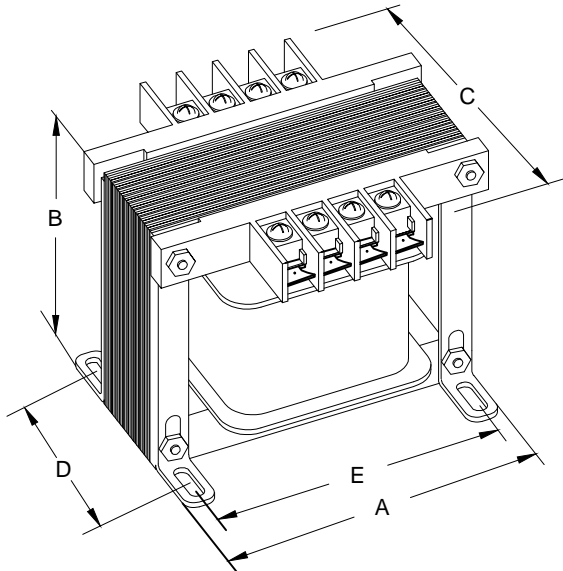
DESCRIPTION

MODEL	MTB200I
Type	Open
VA	200
Primary (Volts)	600
Secondary (Volts)	12 / 24
Input /Output Amps	0.33 / 16.67 , 8.33
Temperature Rise	80°C
Insulation Class	B (130°C)
Frequency	60Hz
Polarity	additive
Noise level	less than 40DB
Winding	Copper
Approvals	CE compliant UL listed CSA approved



WIRING CONNECTION

PRIMARY :		
VOLTS 600	CONNECT LINES TO : H1-H2	
SECONDARY :		
VOLTS 12 24 12/24	INTERCONNECT: X1-X3 AND X2-X4 X2-X3 X2-X3	CONNECT LINES TO : X1-X4 X1-X4 X1-X3-X4



DIMENSIONS INCHES / MM

VA	A	B	C	D	E	MOUNTING HOLES INCHES / MM	SHIP WEIGHT LBS / KG
200	3.75 95.3	3.13 79.5	4.75 120.7	3.25 82.6	3.13 79.5	0.21 x 0.625 5.3 x 15.9	6.00 2.7

Notes:



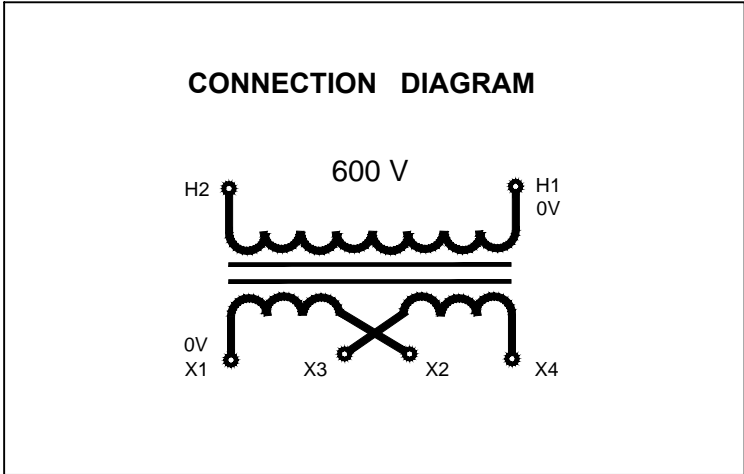
MARCUS

Marcus Transformer LTD
 Phone: 1-800-267-7376
 Fax: 1-866-205-7526
 Email: Info@marcustransformer.com

TECHNICAL DATA

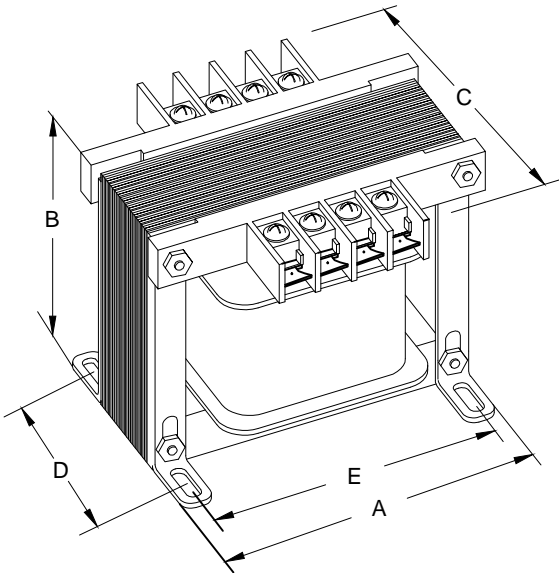
SINGLE PHASE CONTROL TRANSFORMER

DESCRIPTION	
MODEL	MTB200J
Type	Open
VA	200
Primary (Volts)	600
Secondary (Volts)	120 / 240
Input /Output Amps	0.33 / 1.67 , 0.83
Temperature Rise	80°C
Insulation Class	B (130°C)
Frequency	60Hz
Polarity	additive
Noise level	less then 40DB
Winding	Copper
Approvals	CE compliant UL listed CSA approved



WIRING CONNECTION

PRIMARY :		
VOLTS	CONNECT LINES TO :	
600	H1-H2	
SECONDARY :		
VOLTS	INTERCONNECT:	CONNECT LINES TO :
120	X1-X3 AND X2-X4	X1-X4
240	X2-X3	X1-X4
120/240	X2-X3	X1-X3-X4



DIMENSIONS INCHES / MM

VA	A	B	C	D	E	MOUNTING HOLES INCHES / MM	SHIP WEIGHT LBS / KG
200	3.75 95.3	3.13 79.5	4.75 120.7	3.25 82.6	3.13 79.5	0.21 x 0.625 5.3 x 15.9	6.00 2.7

Notes:



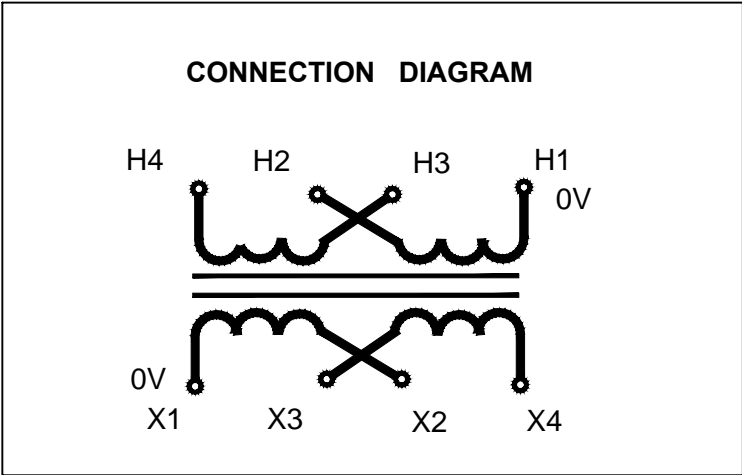
MARCUS

Marcus Transformer LTD
 Phone: 1-800-267-7376
 Fax: 1-866-205-7526
 Email: Info@marcustransformer.com

TECHNICAL DATA

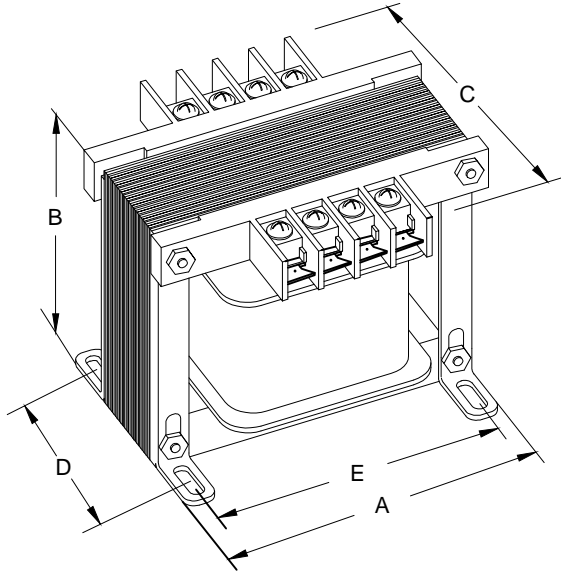
SINGLE PHASE CONTROL TRANSFORMER

DESCRIPTION	
MODEL	MTB200K
Type	Open
VA	200
Primary (Volts)	240 / 480
Secondary (Volts)	12 / 24
Input /Output Amps	0.83 , 0.42 / 16.67 , 8.33
Temperature Rise	80°C
Insulation Class	B (130°C)
Frequency	60Hz
Polarity	additive
Noise level	less than 40DB
Winding	Copper
Approvals	CE compliant UL listed CSA approved



WIRING CONNECTION

PRIMARY :		
VOLTS	INTERCONNECT:	CONNECT LINES TO :
240	H1-H3 AND H2-H4	H1-H4
480	H2-H3	H1-H4
SECONDARY :		
VOLTS	INTERCONNECT:	CONNECT LINES TO :
12	X1-X3 AND X2-X4	X1-X4
24	X2-X3	X1-X4



DIMENSIONS INCHES / MM

VA	A	B	C	D	E	MOUNTING HOLES INCHES / MM	SHIP WEIGHT LBS / KG
200	3.75 95.3	3.13 79.5	4.75 120.7	3.25 82.6	3.13 79.5	0.21 x 0.625 5.3 x 15.9	6.00 2.7

Notes:



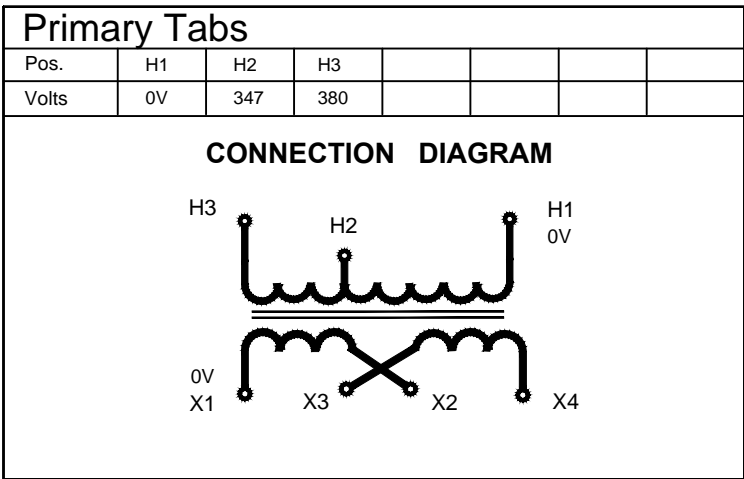
MARCUS

Marcus Transformer LTD
 Phone: 1-800-267-7376
 Fax: 1-866-205-7526
 Email: Info@marcustransformer.com

TECHNICAL DATA

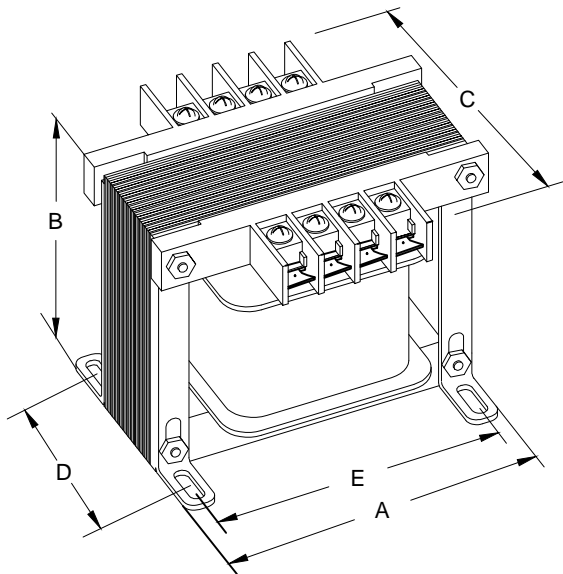
SINGLE PHASE CONTROL TRANSFORMER

DESCRIPTION	
MODEL	MTB200L
Type	Open
VA	200
Primary (Volts)	347 / 380
Secondary (Volts)	12 / 24
Input / Output Amps	0.58 , 0.53 / 16.67 , 8.33
Temperature Rise	80°C
Insulation Class	B (130°C)
Frequency	50 / 60Hz
Polarity	additive
Noise level	less than 40DB
Winding	Copper
Approvals	CE compliant UL listed CSA approved



WIRING CONNECTION

PRIMARY :		
VOLTS	CONNECT LINES TO :	
347	H1-H2	
380	H1-H3	
SECONDARY :		
VOLTS	INTERCONNECT:	CONNECT LINES TO :
120	X1-X3 AND X2-X4	X1-X4
240	X2-X3	X1-X4



DIMENSIONS INCHES / MM

VA	A	B	C	D	E	MOUNTING HOLES INCHES / MM	SHIP WEIGHT LBS / KG
200	3.75 95.3	3.13 79.5	4.75 120.7	3.25 82.6	3.13 79.5	0.21 x 0.625 5.3 x 15.9	6.00 2.7

Notes:



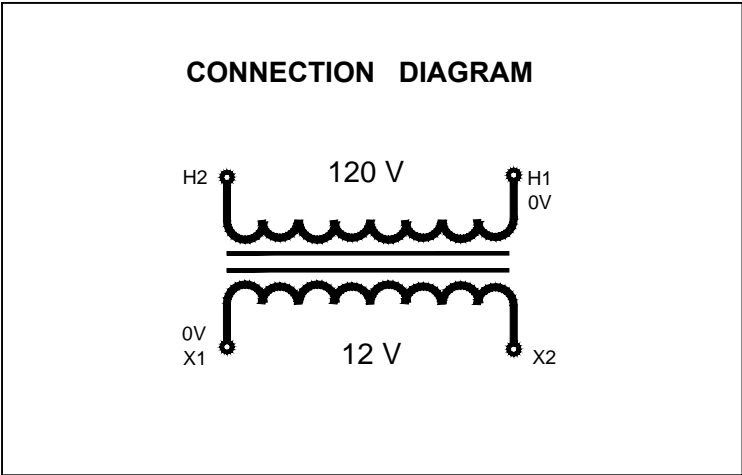
MARCUS

Marcus Transformer LTD
 Phone: 1-800-267-7376
 Fax: 1-866-205-7526
 Email: Info@marcustransformer.com

TECHNICAL DATA

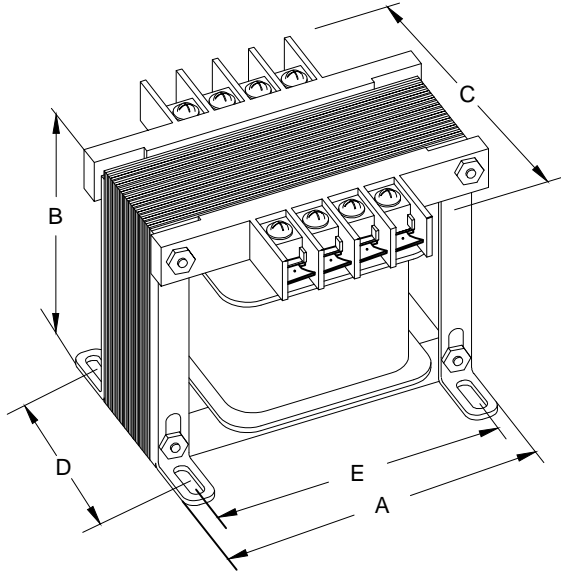
SINGLE PHASE CONTROL TRANSFORMER

DESCRIPTION	
MODEL	MTB200M
Type	Open
VA	200
Primary (Volts)	120
Secondary (Volts)	12
Input /Output Amps	1.67 / 16.67
Temperature Rise	80°C
Insulation Class	B (130°C)
Frequency	60Hz
Polarity	additive
Noise level	less than 40DB
Winding	Copper
Approvals	CE compliant UL listed CSA approved



WIRING CONNECTION

PRIMARY :	
VOLTS 120	CONNECT LINES TO : H1-H2
SECONDARY :	
VOLTS 12	CONNECT LINES TO : X1-X2



DIMENSIONS INCHES / MM

VA	A	B	C	D	E	MOUNTING HOLES INCHES / MM	SHIP WEIGHT LBS / KG
200	3.75 95.3	3.13 79.5	4.75 120.7	3.25 82.6	3.13 79.5	0.21 x 0.625 5.3 x 15.9	6.00 2.7

Notes:



MARCUS

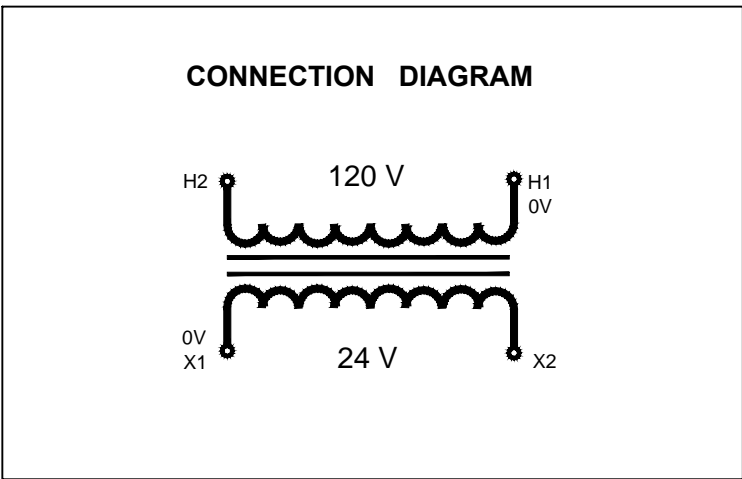
Marcus Transformer LTD
 Phone: 1-800-267-7376
 Fax: 1-866-205-7526
 Email: Info@marcustransformer.com

TECHNICAL DATA

SINGLE PHASE CONTROL TRANSFORMER

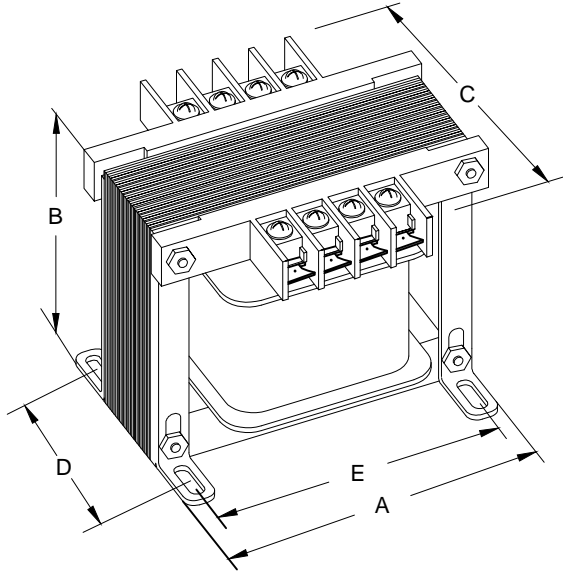
DESCRIPTION

MODEL	MTB200N
Type	Open
VA	200
Primary (Volts)	120
Secondary (Volts)	24
Input /Output Amps	1.67 / 8.33
Temperature Rise	80°C
Insulation Class	B (130°C)
Frequency	60Hz
Polarity	additive
Noise level	less than 40DB
Winding	Copper
Approvals	CE compliant UL listed CSA approved



WIRING CONNECTION

PRIMARY :	
VOLTS 120	CONNECT LINES TO : H1-H2
SECONDARY :	
VOLTS 24	CONNECT LINES TO : X1-X2



DIMENSIONS INCHES / MM

VA	A	B	C	D	E	MOUNTING HOLES INCHES / MM	SHIP WEIGHT LBS / KG
200	3.75 95.3	3.13 79.5	4.75 120.7	3.25 82.6	3.13 79.5	0.21 x 0.625 5.3 x 15.9	6.00 2.7

Notes:



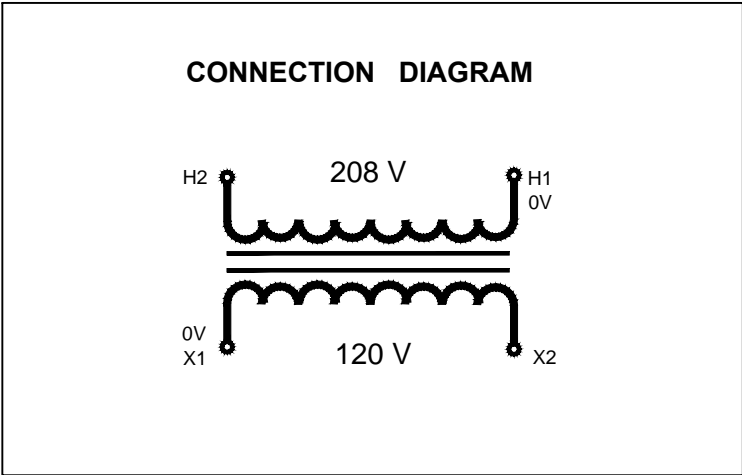
MARCUS

Marcus Transformer LTD
 Phone: 1-800-267-7376
 Fax: 1-866-205-7526
 Email: Info@marcustransformer.com

TECHNICAL DATA

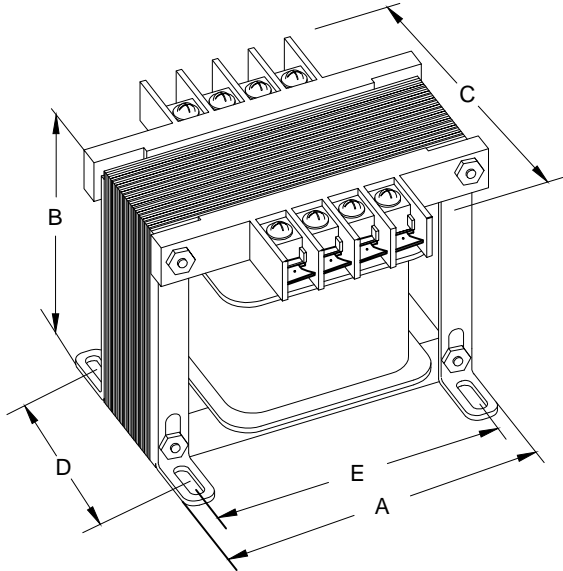
SINGLE PHASE CONTROL TRANSFORMER

DESCRIPTION	
MODEL	MTB2000
Type	Open
VA	200
Primary (Volts)	208
Secondary (Volts)	120
Input /Output Amps	0.96 / 1.67
Temperature Rise	80°C
Insulation Class	B (130°C)
Frequency	60Hz
Polarity	additive
Noise level	less than 40DB
Winding	Copper
Approvals	CE compliant UL listed CSA approved



WIRING CONNECTION

PRIMARY :	
VOLTS 208	CONNECT LINES TO : H1-H2
SECONDARY :	
VOLTS 120	CONNECT LINES TO : X1-X2



DIMENSIONS INCHES / MM

VA	A	B	C	D	E	MOUNTING HOLES INCHES / MM	SHIP WEIGHT LBS / KG
200	3.75 95.3	3.13 79.5	4.75 120.7	3.25 82.6	3.13 79.5	0.21 x 0.625 5.3 x 15.9	6.00 2.7

Notes:



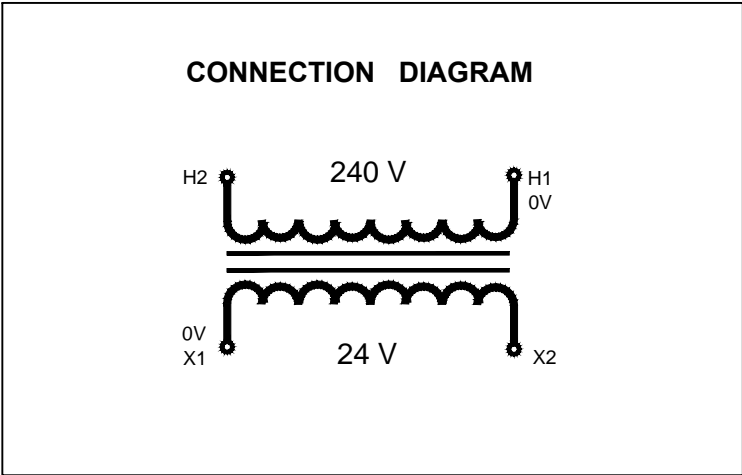
MARCUS

Marcus Transformer LTD
 Phone: 1-800-267-7376
 Fax: 1-866-205-7526
 Email: Info@marcustransformer.com

TECHNICAL DATA

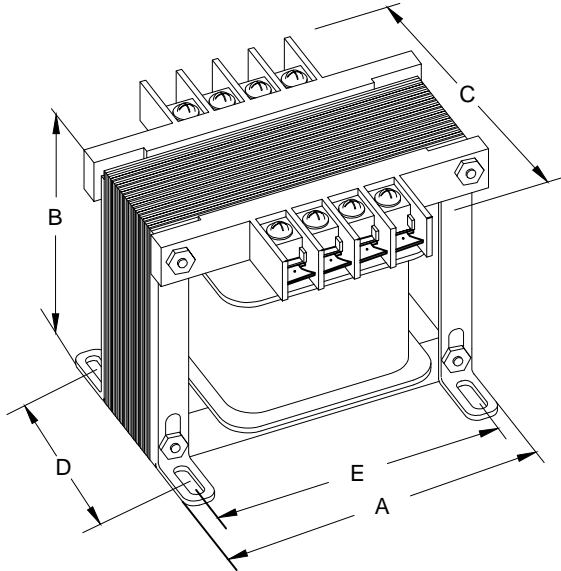
SINGLE PHASE CONTROL TRANSFORMER

DESCRIPTION	
MODEL	MTB200P
Type	Open
VA	200
Primary (Volts)	240
Secondary (Volts)	24
Input /Output Amps	0.83 / 8.33
Temperature Rise	80°C
Insulation Class	B (130°C)
Frequency	60Hz
Polarity	additive
Noise level	less than 40DB
Winding	Copper
Approvals	CE compliant UL listed CSA approved



WIRING CONNECTION

PRIMARY :	
VOLTS 240	CONNECT LINES TO : H1-H2
SECONDARY :	
VOLTS 24	CONNECT LINES TO : X1-X2



DIMENSIONS INCHES / MM

VA	A	B	C	D	E	MOUNTING HOLES INCHES / MM	SHIP WEIGHT LBS / KG
200	3.75 95.3	3.13 79.5	4.75 120.7	3.25 82.6	3.13 79.5	0.21 x 0.625 5.3 x 15.9	6.00 2.7

Notes:



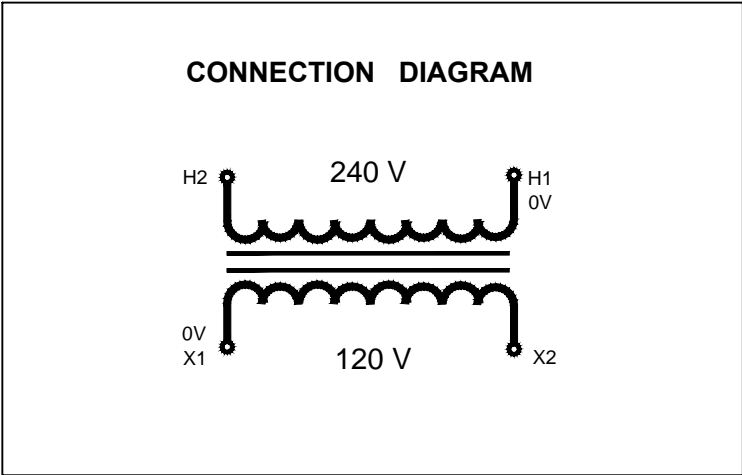
MARCUS

Marcus Transformer LTD
 Phone: 1-800-267-7376
 Fax: 1-866-205-7526
 Email: Info@marcustransformer.com

TECHNICAL DATA

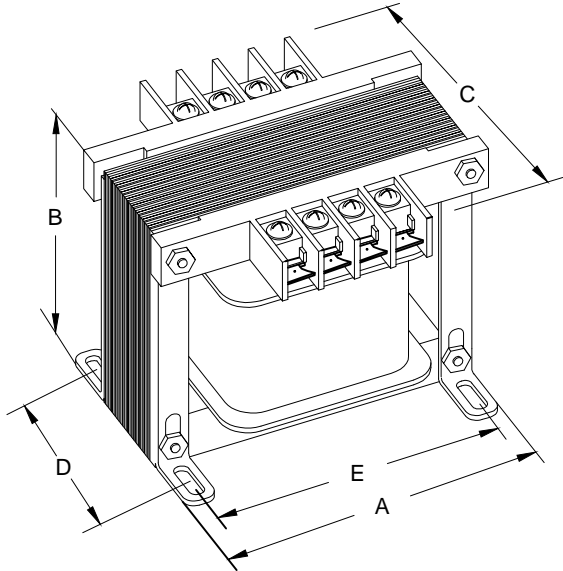
SINGLE PHASE CONTROL TRANSFORMER

DESCRIPTION	
MODEL	MTB200Q
Type	Open
VA	200
Primary (Volts)	240
Secondary (Volts)	120
Input /Output Amps	0.83 / 1.67
Temperature Rise	80°C
Insulation Class	B (130°C)
Frequency	60Hz
Polarity	additive
Noise level	less than 40DB
Winding	Copper
Approvals	CE compliant UL listed CSA approved



WIRING CONNECTION

PRIMARY :	
VOLTS 240	CONNECT LINES TO : H1-H2
SECONDARY :	
VOLTS 120	CONNECT LINES TO : X1-X2



DIMENSIONS INCHES / MM

VA	A	B	C	D	E	MOUNTING HOLES INCHES / MM	SHIP WEIGHT LBS / KG
200	3.75 95.3	3.13 79.5	4.75 120.7	3.25 82.6	3.13 79.5	0.21 x 0.625 5.3 x 15.9	6.00 2.7

Notes:



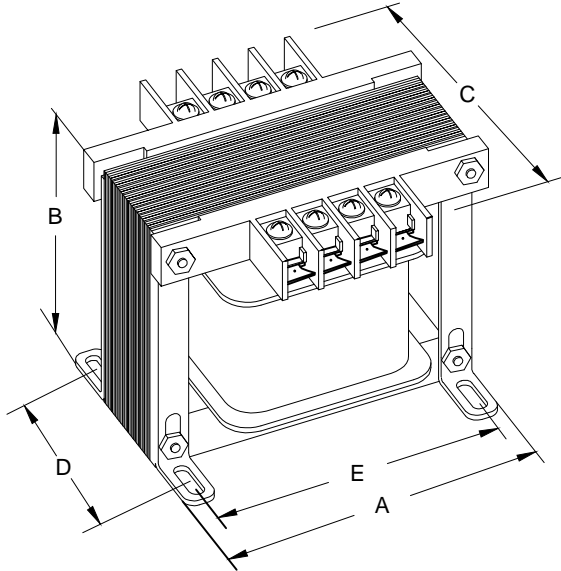
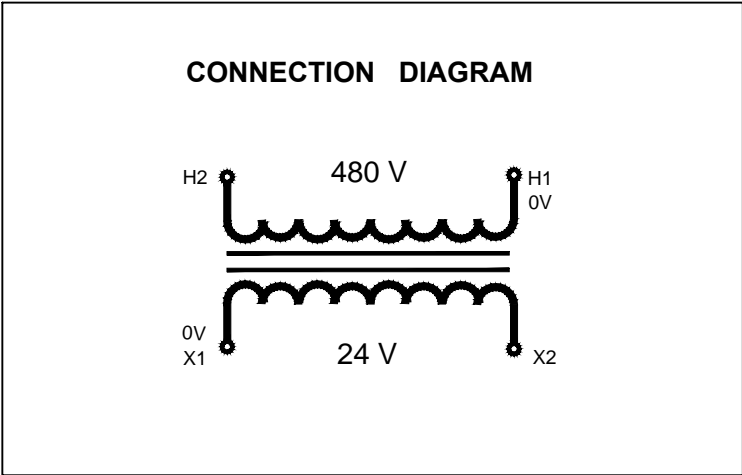
MARCUS

Marcus Transformer LTD
 Phone: 1-800-267-7376
 Fax: 1-866-205-7526
 Email: Info@marcustransformer.com

TECHNICAL DATA

SINGLE PHASE CONTROL TRANSFORMER

DESCRIPTION	
MODEL	MTB200R
Type	Open
VA	200
Primary (Volts)	480
Secondary (Volts)	24
Input /Output Amps	0.42 / 8.33
Temperature Rise	80°C
Insulation Class	B (130°C)
Frequency	60Hz
Polarity	additive
Noise level	less than 40DB
Winding	Copper
Approvals	CE compliant UL listed CSA approved



WIRING CONNECTION

PRIMARY :	
VOLTS	CONNECT LINES TO :
480	H1-H2
SECONDARY :	
VOLTS	CONNECT LINES TO :
24	X1-X2

DIMENSIONS INCHES / MM

VA	A	B	C	D	E	MOUNTING HOLES INCHES / MM	SHIP WEIGHT LBS / KG
200	3.75 95.3	3.13 79.5	4.75 120.7	3.25 82.6	3.13 79.5	0.21 x 0.625 5.3 x 15.9	6.00 2.7

Notes:



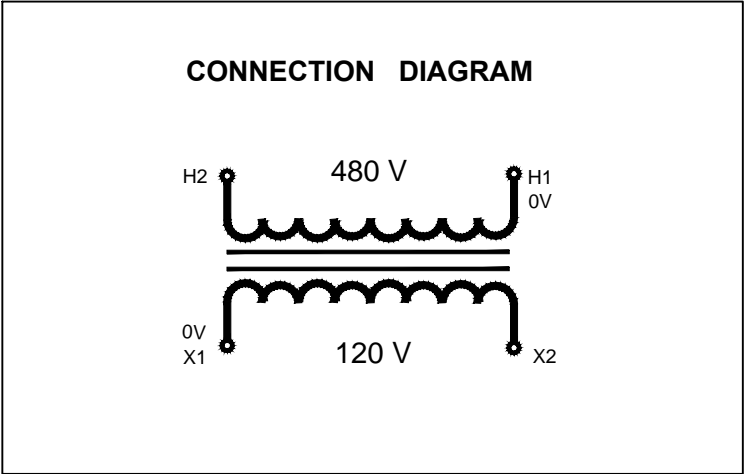
MARCUS

Marcus Transformer LTD
 Phone: 1-800-267-7376
 Fax: 1-866-205-7526
 Email: Info@marcustransformer.com

TECHNICAL DATA

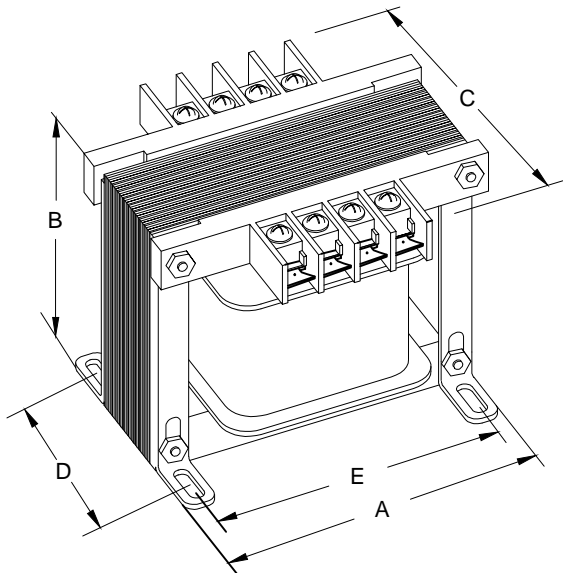
SINGLE PHASE CONTROL TRANSFORMER

DESCRIPTION	
MODEL	MTB200S
Type	Open
VA	200
Primary (Volts)	480
Secondary (Volts)	120
Input /Output Amps	0.42 / 1.67
Temperature Rise	80°C
Insulation Class	B (130°C)
Frequency	60Hz
Polarity	additive
Noise level	less than 40DB
Winding	Copper
Approvals	CE compliant UL listed CSA approved



WIRING CONNECTION

PRIMARY :	
VOLTS 480	CONNECT LINES TO : H1-H2
SECONDARY :	
VOLTS 120	CONNECT LINES TO : X1-X2



DIMENSIONS INCHES / MM

VA	A	B	C	D	E	MOUNTING HOLES INCHES / MM	SHIP WEIGHT LBS / KG
200	3.75 95.3	3.13 79.5	4.75 120.7	3.25 82.6	3.13 79.5	0.21 x 0.625 5.3 x 15.9	6.00 2.7

Notes:



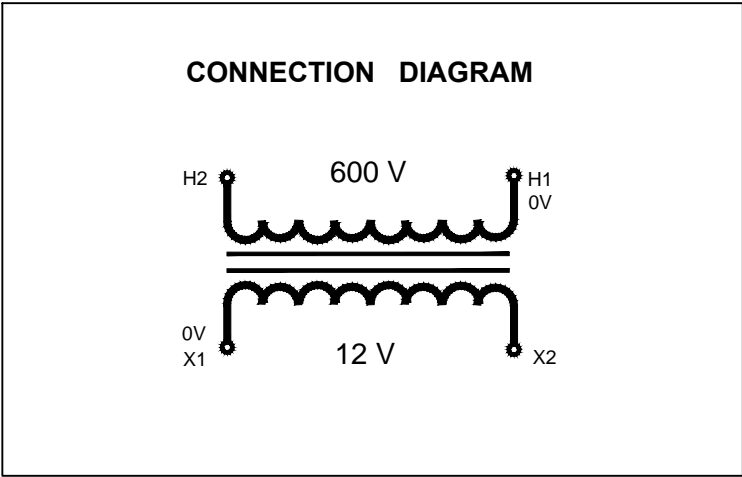
MARCUS

Marcus Transformer LTD
 Phone: 1-800-267-7376
 Fax: 1-866-205-7526
 Email: Info@marcustransformer.com

TECHNICAL DATA

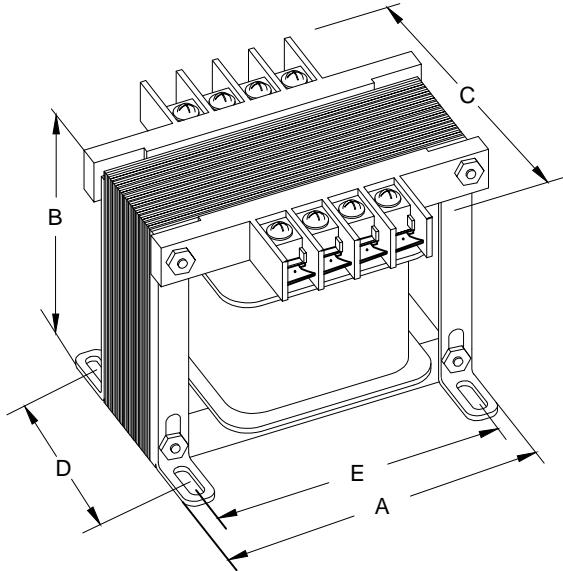
SINGLE PHASE CONTROL TRANSFORMER

DESCRIPTION	
MODEL	MTB200T
Type	Open
VA	200
Primary (Volts)	600
Secondary (Volts)	12
Input /Output Amps	0.33 / 16.67
Temperature Rise	80°C
Insulation Class	B (130°C)
Frequency	60Hz
Polarity	additive
Noise level	less than 40DB
Winding	Copper
Approvals	CE compliant UL listed CSA approved



WIRING CONNECTION

PRIMARY :	
VOLTS 600	CONNECT LINES TO : H1-H2
SECONDARY :	
VOLTS 12	CONNECT LINES TO : X1-X2



DIMENSIONS INCHES / MM

VA	A	B	C	D	E	MOUNTING HOLES INCHES / MM	SHIP WEIGHT LBS / KG
200	3.75 95.3	3.13 79.5	4.75 120.7	3.25 82.6	3.13 79.5	0.21 x 0.625 5.3 x 15.9	6.00 2.7

Notes:



MARCUS

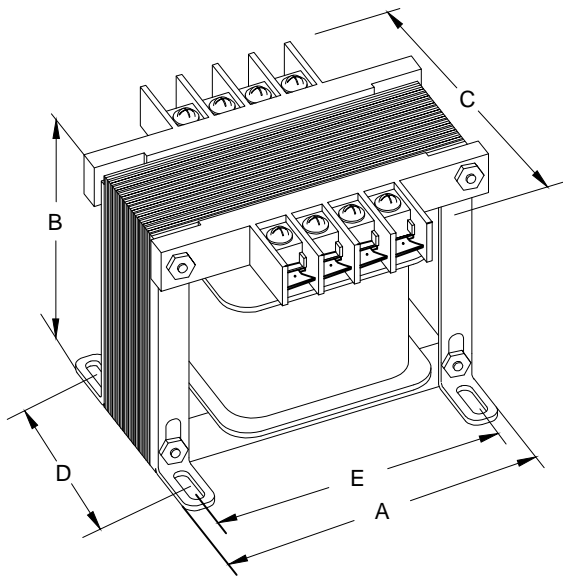
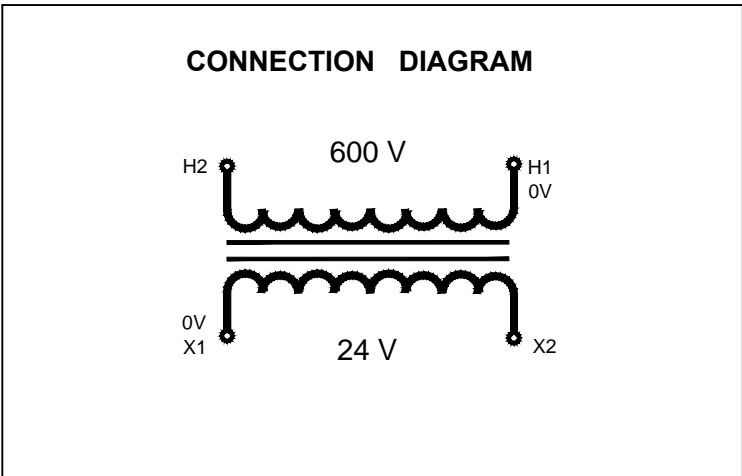
Marcus Transformer LTD
 Phone: 1-800-267-7376
 Fax: 1-866-205-7526
 Email: Info@marcustransformer.com

TECHNICAL DATA

SINGLE PHASE CONTROL TRANSFORMER

DESCRIPTION

MODEL	MTB200U
Type	Open
VA	200
Primary (Volts)	600
Secondary (Volts)	24
Input /Output Amps	0.33 / 8.33
Temperature Rise	80°C
Insulation Class	B (130°C)
Frequency	60Hz
Polarity	additive
Noise level	less than 40DB
Winding	Copper
Approvals	CE compliant UL listed CSA approved



WIRING CONNECTION

PRIMARY :	
VOLTS 600	CONNECT LINES TO : H1-H2
SECONDARY :	
VOLTS 24	CONNECT LINES TO : X1-X2

DIMENSIONS INCHES / MM

VA	A	B	C	D	E	MOUNTING HOLES INCHES / MM	SHIP WEIGHT LBS / KG
200	3.75 95.3	3.13 79.5	4.75 120.7	3.25 82.6	3.13 79.5	0.21 x 0.625 5.3 x 15.9	6.00 2.7

Notes:



MARCUS

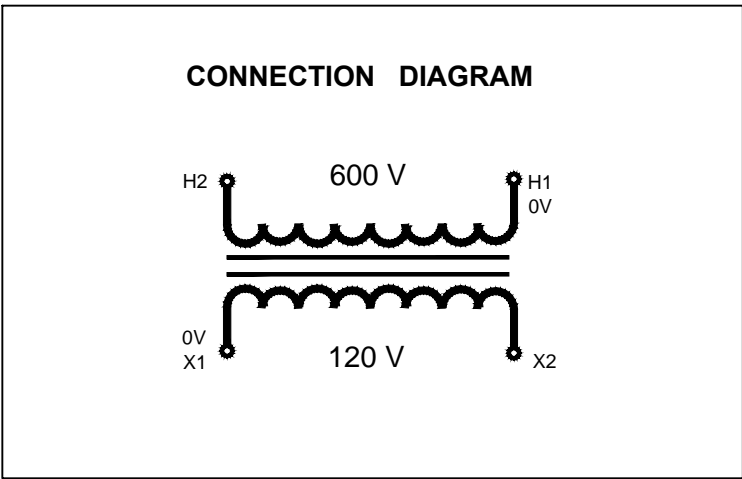
Marcus Transformer LTD
 Phone: 1-800-267-7376
 Fax: 1-866-205-7526
 Email: Info@marcustransformer.com

TECHNICAL DATA

SINGLE PHASE CONTROL TRANSFORMER

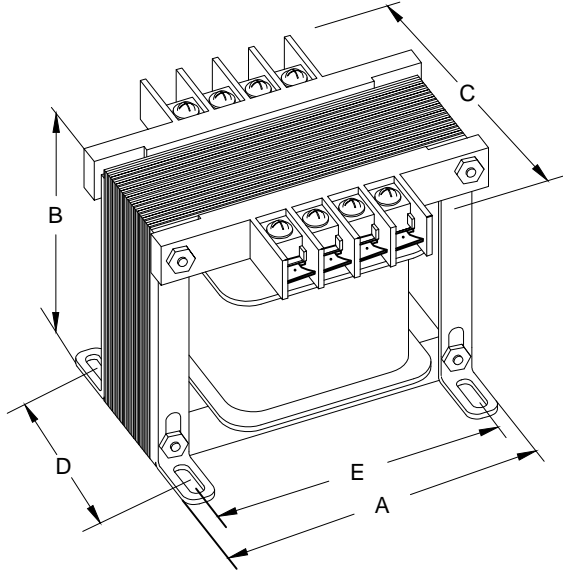
DESCRIPTION

MODEL	MTB200V
Type	Open
VA	200
Primary (Volts)	600
Secondary (Volts)	120
Input /Output Amps	0.33 / 1.67
Temperature Rise	80°C
Insulation Class	B (130°C)
Frequency	60Hz
Polarity	additive
Noise level	less than 40DB
Winding	Copper
Approvals	CE compliant UL listed CSA approved



WIRING CONNECTION

PRIMARY :	
VOLTS 600	CONNECT LINES TO : H1-H2
SECONDARY :	
VOLTS 120	CONNECT LINES TO : X1-X2



DIMENSIONS INCHES / MM

VA	A	B	C	D	E	MOUNTING HOLES INCHES / MM	SHIP WEIGHT LBS / KG
200	3.75 95.3	3.13 79.5	4.75 120.7	3.25 82.6	3.13 79.5	0.21 x 0.625 5.3 x 15.9	6.00 2.7

Notes:



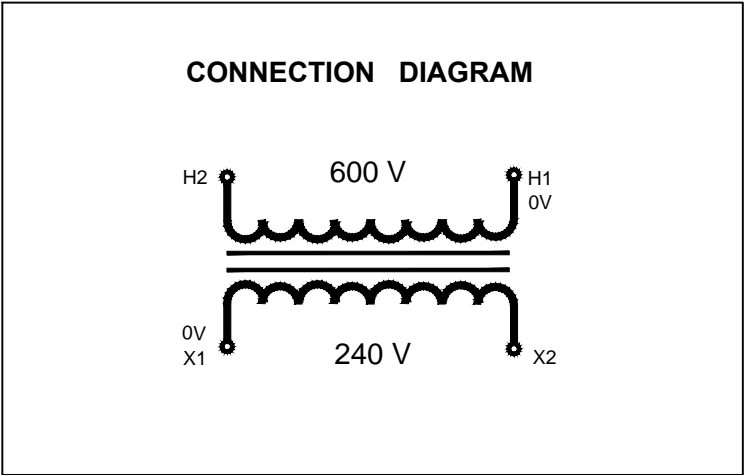
MARCUS

Marcus Transformer LTD
 Phone: 1-800-267-7376
 Fax: 1-866-205-7526
 Email: Info@marcustransformer.com

TECHNICAL DATA

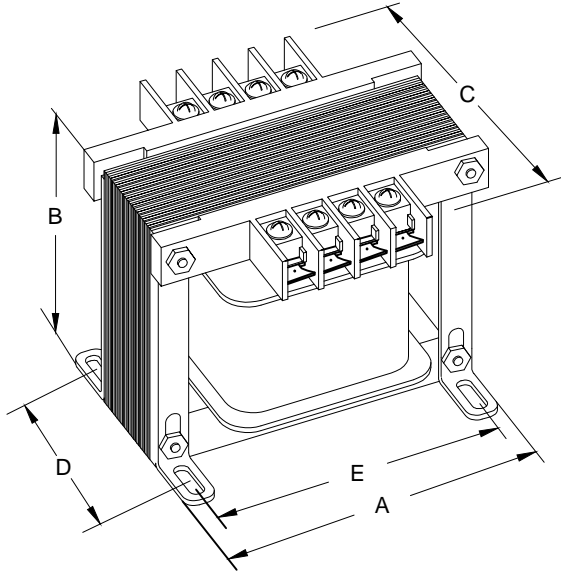
SINGLE PHASE CONTROL TRANSFORMER

DESCRIPTION	
MODEL	MTB200W
Type	Open
VA	200
Primary (Volts)	600
Secondary (Volts)	240
Input /Output Amps	0.33 / 0.83
Temperature Rise	80°C
Insulation Class	B (130°C)
Frequency	60Hz
Polarity	additive
Noise level	less than 40DB
Winding	Copper
Approvals	CE compliant UL listed CSA approved



WIRING CONNECTION

PRIMARY :	
VOLTS 600	CONNECT LINES TO : H1-H2
SECONDARY :	
VOLTS 240	CONNECT LINES TO : X1-X2



DIMENSIONS INCHES / MM

VA	A	B	C	D	E	MOUNTING HOLES INCHES / MM	SHIP WEIGHT LBS / KG
200	3.75 95.3	3.13 79.5	4.75 120.7	3.25 82.6	3.13 79.5	0.21 x 0.625 5.3 x 15.9	6.00 2.7

Notes:



MARCUS

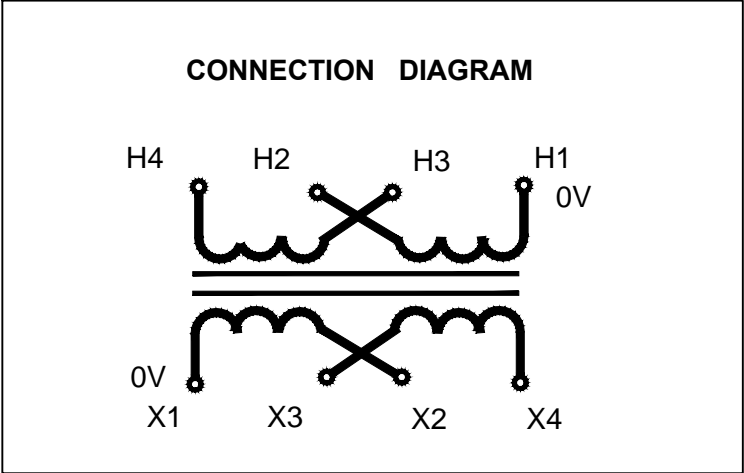
Marcus Transformer LTD
 Phone: 1-800-267-7376
 Fax: 1-866-205-7526
 Email: Info@marcustransformer.com

TECHNICAL DATA

SINGLE PHASE CONTROL TRANSFORMER

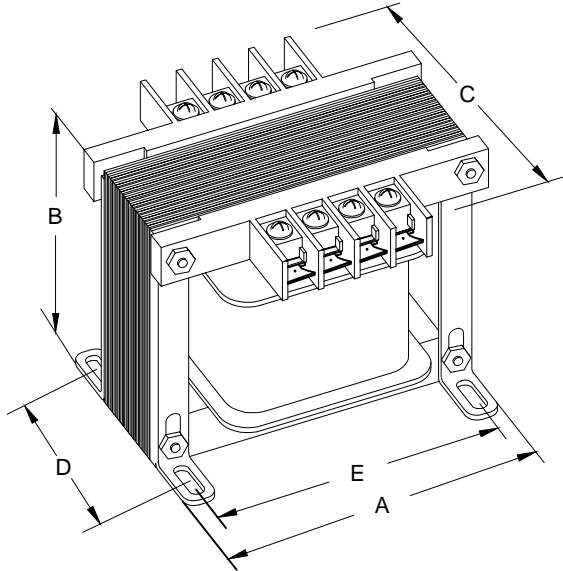
DESCRIPTION

MODEL	MTB200X
Type	Open
VA	200
Primary (Volts)	120 / 240
Secondary (Volts)	16 / 32
Input /Output Amps	1.67 , 0.83 / 12.5 , 6.25
Temperature Rise	80°C
Insulation Class	B (130°C)
Frequency	50 / 60Hz
Polarity	additive
Noise level	less than 40DB
Winding	Copper
Approvals	CE compliant UL listed CSA approved



WIRING CONNECTION

PRIMARY :		
VOLTS	INTERCONNECT:	CONNECT LINES TO :
120	H1-H3 AND H2-H4	H1-H4
240	H2-H3	H1-H4
SECONDARY :		
VOLTS	INTERCONNECT:	CONNECT LINES TO :
16	X1-X3 AND X2-X4	X1-X4
32	X2-X3	X1-X4



DIMENSIONS INCHES / MM

VA	A	B	C	D	E	MOUNTING HOLES INCHES / MM	SHIP WEIGHT LBS / KG
200	3.75 95.3	3.13 79.5	4.75 120.7	3.25 82.6	3.13 79.5	0.21 x 0.625 5.3 x 15.9	6.00 2.7

Notes:



MARCUS

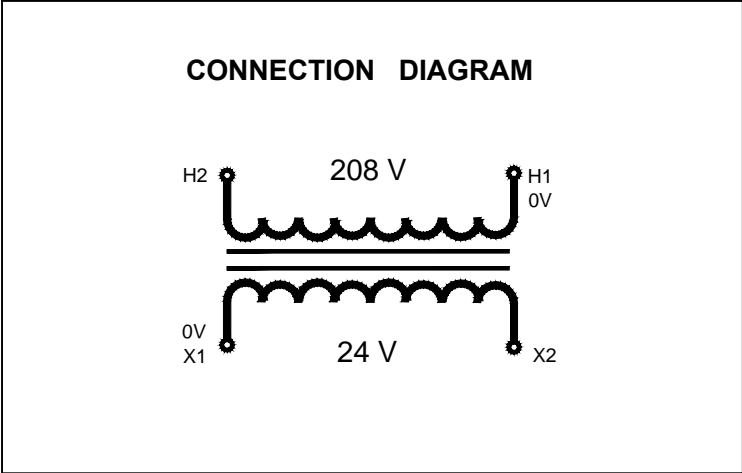
Marcus Transformer LTD
 Phone: 1-800-267-7376
 Fax: 1-866-205-7526
 Email: Info@marcustransformer.com

TECHNICAL DATA

SINGLE PHASE CONTROL TRANSFORMER

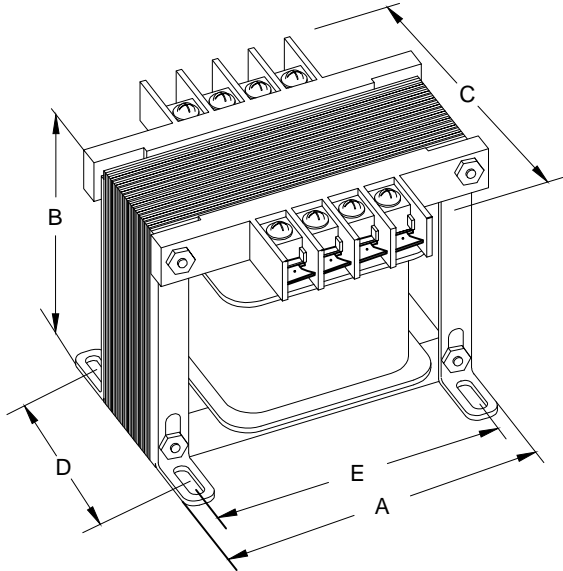
DESCRIPTION

MODEL	MTB200Y
Type	Open
VA	200
Primary (Volts)	208
Secondary (Volts)	24
Input /Output Amps	0.96 / 8.33
Temperature Rise	80°C
Insulation Class	B (130°C)
Frequency	60Hz
Polarity	additive
Noise level	less than 40DB
Winding	Copper
Approvals	CE compliant UL listed CSA approved



WIRING CONNECTION

PRIMARY :	
VOLTS 208	CONNECT LINES TO : H1-H2
SECONDARY :	
VOLTS 24	CONNECT LINES TO : X1-X2



DIMENSIONS INCHES / MM

VA	A	B	C	D	E	MOUNTING HOLES INCHES / MM	SHIP WEIGHT LBS / KG
200	3.75 95.3	3.13 79.5	4.75 120.7	3.25 82.6	3.13 79.5	0.21 x 0.625 5.3 x 15.9	6.00 2.7

Notes: