



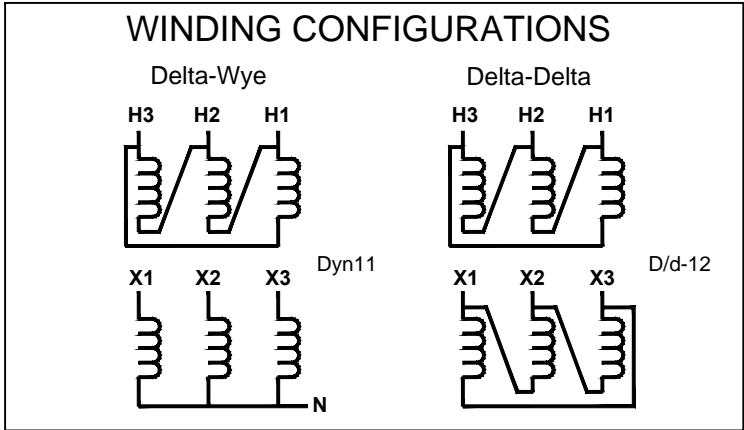
# MARCUS

Marcus Transformer LTD  
 Phone: 1-800-267-7376  
 Fax: 1-866-205-7526  
 Email: Info@marcustransformer.com

## TECHNICAL DATA

THREE PHASE INDUSTRIAL CONTROL TRANSFORMER

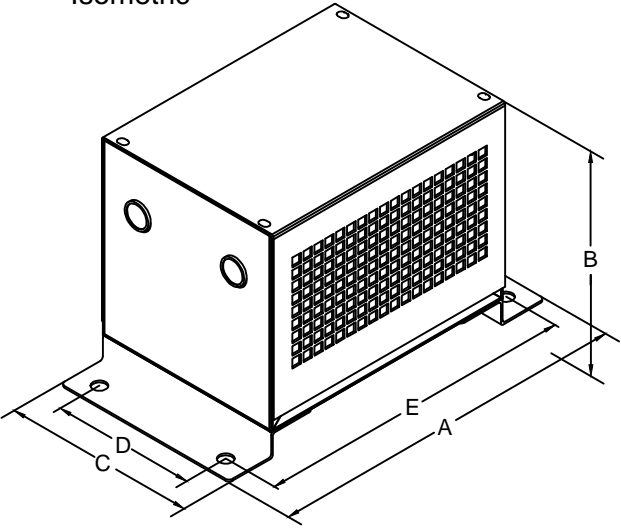
DESCRIPTION	
MODEL	TPC350
Type	Closed
VA	350
Primary (Volts)	
Secondary (Volts)	
Temperature Rise	115°C
Insulation Class	F (155°C)
Frequency	60Hz
Vector group	Dyn11, D/d-12
Noise level	less than 40DB
Winding	Copper
Approvals	



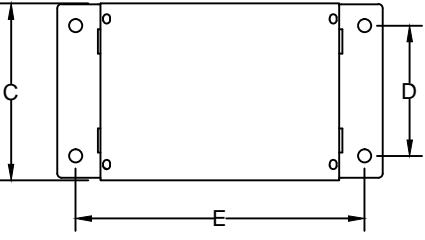
### DIMENSIONS INCHES / MM

VA	A	B	C	D	E	MOUNTING HOLES INCHES / MM	SHIP WEIGHT LBS / KG
350	15.0 381.0	9.0 228.6	8.0 203.2	6.0 152.4	13.0 330.2	Ø0.5 Ø15	22 9.9

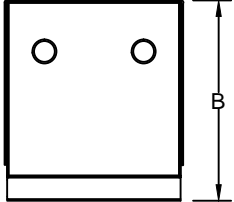
Isometric



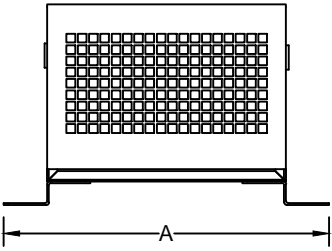
Top View



Side View



Front View



Notes: