



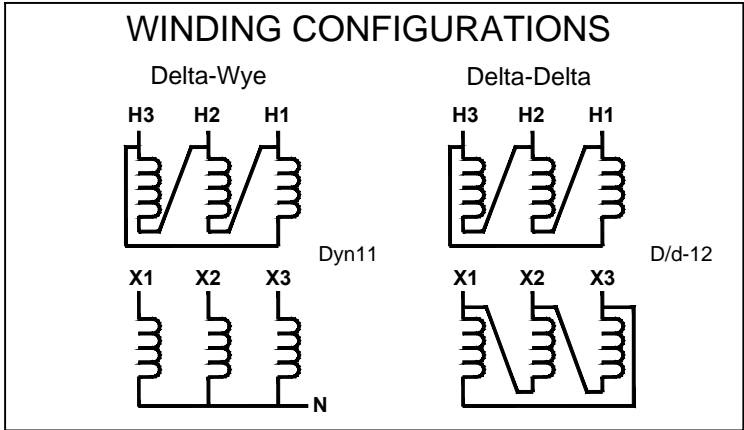
MARCUS

Marcus Transformer LTD
 Phone: 1-800-267-7376
 Fax: 1-866-205-7526
 Email: Info@marcustransformer.com

TECHNICAL DATA

THREE PHASE INDUSTRIAL CONTROL TRANSFORMER

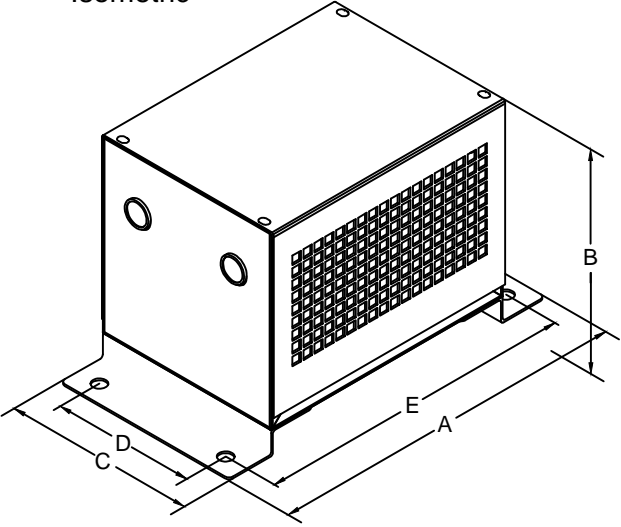
DESCRIPTION	
MODEL	TPC500
Type	Closed
VA	500
Primary (Volts)	
Secondary (Volts)	
Temperature Rise	115°C
Insulation Class	F (155°C)
Frequency	60Hz
Vector group	Dyn11, D/d-12
Noise level	less than 40DB
Winding	Copper
Approvals	



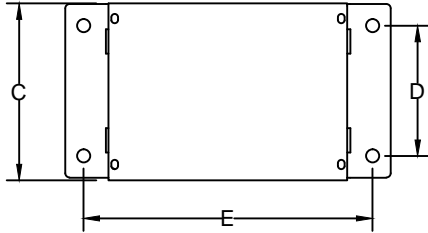
DIMENSIONS INCHES / MM

VA	A	B	C	D	E	MOUNTING HOLES INCHES / MM	SHIP WEIGHT LBS / KG
500	15.0 381.0	9.0 228.6	8.0 203.2	6.0 152.4	13.0 330.2	Ø0.5 Ø15	24 10.8

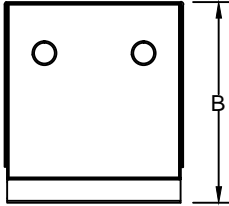
Isometric



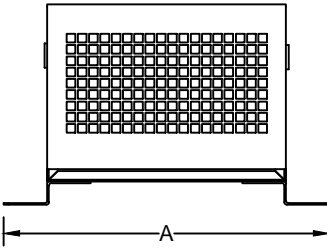
Top View



Side View



Front View



Notes: